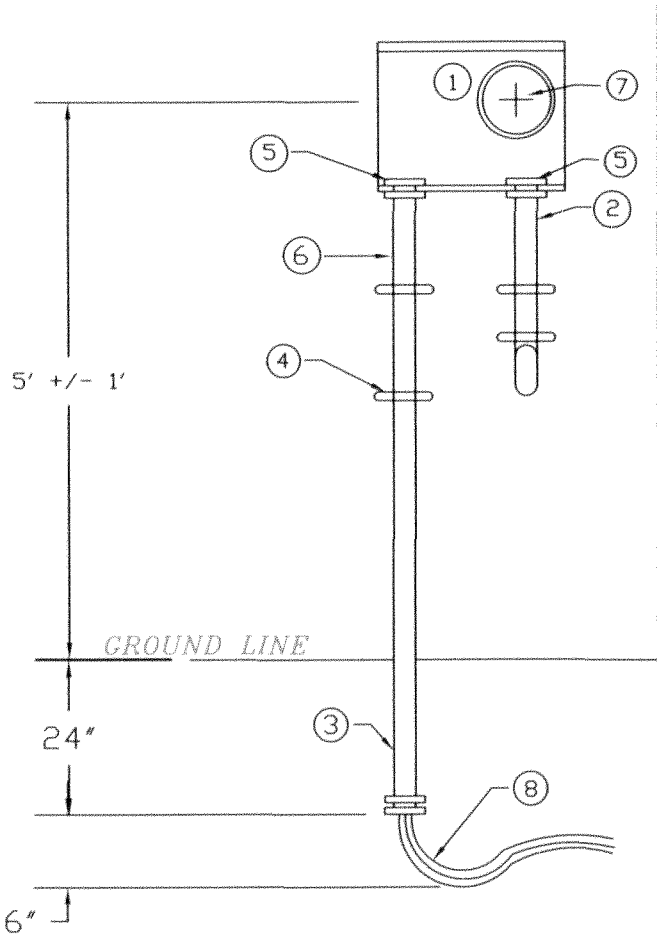


UNDERGROUND SERVICE ENTRANCE ON BUILDING



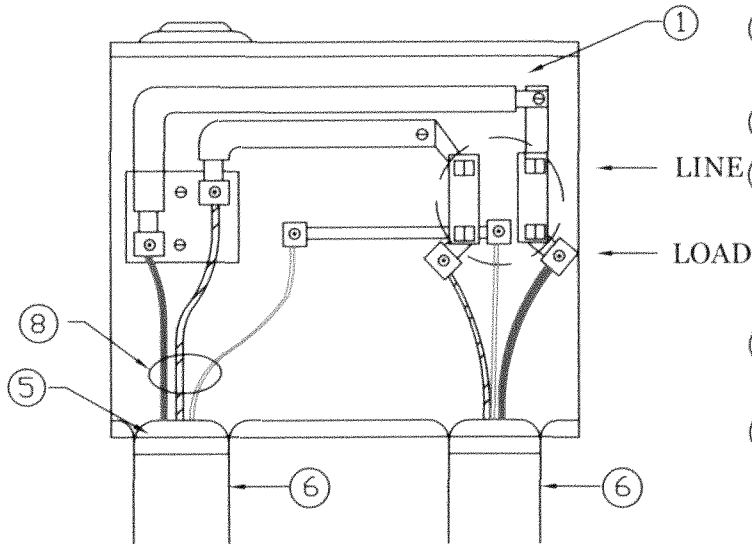
THIS DRAWING IS TO BE USED AS A GUIDE ONLY. PIE&G SHALL NOT BE RESPONSIBLE FOR ANY DAMAGES FROM ANY USE OR MISUSE OF THIS SPECIFICATION.

NOTE: ALL MEMBERS' SERVICE EQUIPMENT IS PER THE NATIONAL ELECTRIC CODE (NEC) AND MUST BE APPROVED BY THE LOCAL ELECTRICAL INSPECTOR. PIE&G *CANNOT* ENERGIZE THE SERVICE WITHOUT THIS APPROVAL.

MEMBER'S SERVICE EQUIPMENT

- ① METER BASE - (200 AMP MINIMUM) (SEE DETAIL BELOW)
- ② MEMBER'S SERVICE ENTRANCE CABLE OR CONDUCTORS IN CONDUIT
- ③ ELECTRICAL CONDUIT (2" MINIMUM) TO BE EXTENDED 2' BELOW GRADE. PVC OR RIGID STEEL CONDUIT
- ④ CABLE STRAPS OR CONDUIT CLAMPS AS REQUIRED
- ⑤ CONNECTORS AS REQUIRED
- ⑥ PVC OR RIGID STEEL CONDUIT AS REQUIRED

METER BASE DETAIL



PIE&G SERVICE EQUIPMENT

- ⑦ PIE&G KWH METER - min 4', max. 6' from ground
- ⑧ PIE&G UNDERGROUND SERVICE CONDUCTORS

DATE	DESCRIPTION
5/93	UNDERGROUND SERVICE
	ENTRANCE
	REVISED 06/18/14 AB

PIE&G

19831 M-68 HWY.

P.O. BOX. 308

ONAWAY, MI 49765-0308

(989) 733-8515 (800) 423-6634